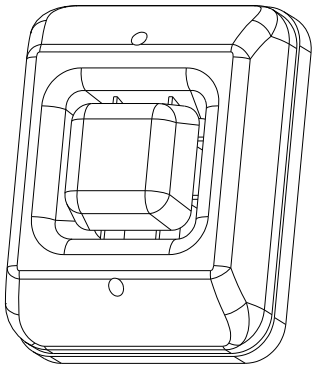


# MANUAL FOR STROBE SIREN

## 一、 Introduction

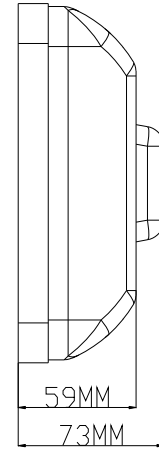
The fire alarm with coding is an alarm terminal equipment, which will generate strong alarm signal when fire disaster.

This product use high pressure gas flash and piezoelectric ultra loudness sound generation device, the conversion efficiency of light, sound, power is high, the flash index is strong, the alarm sound is loud, which can bring shock effect in the visual and auditory when input low voltage low power.

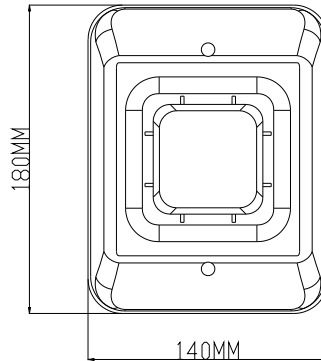


## 二、 Main Technology Parameter

1. Working voltage: 24V DC
2. Alarm current:  $\leq 50\text{mA}$
3. Environment temperature:  $-10^{\circ}\text{C}\sim+50^{\circ}\text{C}$
4. Relative humidity:  $\leq 95\%RH$
5. Flash intensity:  $\geq 1.2\text{ WS}$
6. Flash period:  $\leq 3\text{ S}$
7. Flash life:  $\geq 40000\text{ time}$
8. Sound level:  $\geq 100\text{ dB}$
9. Sound source: Fire truck alarm
10. Size: 160\*127\*50mm



## 三、 shape and size



## 四、 Matters Need Attention:

1. Please use tinned and crimping method when connecting wired, and prevent the line short circuit and power or ground electrode contact with the building.

2. Please do not take off the protective film of the transparency lens in the construction process, that can avoid scratches to affecting product life, and pay attention to waterproof.

3. If the product has any problems, please contact with our company any time.